



COMMERCIAL HEATING SOLUTIONS



CONVECTOR HEATING

Units 13-14 Charlwoods Road
East Grinstead, West Sussex, RH19 2HU
www.clyderadiators.co.uk 01342 305550

A brand of IRSAP, Italy's leading manufacturer of design led radiators.

EDS 812/4 10.02.22

Contents

Clyde is a brand of the IRSAP, Italy's leading manufacturer of design led radiators. With over 50 years experience, we have the expertise to produce the best in quality & customer service.

Clyde provides bespoke solutions for LSTs, Cast Iron, Multi Column and Aluminium radiators. With a wide range of traditional and contemporary radiators, Clyde's solution based approach is designed to ensure we supply the ideal solution for all commercial and industrial requirements.

Our dedicated team of technical advisors and estimators will discuss your installation including the calculation of your heat output requirements (from drawings if necessary), arrange a full quotation based on your exact project specifications and provide lead times. They can also arrange a site visit from our National Sales Network if required.

For more information about Clyde or any of our products, please contact our customer service department: 01342 305522 / 305566

Key Features & Technical Data	2-3
Alumaxx® High Performance Convector	4-5
Radiator Models & Codes	6-11
Connection Configurations	12
Installation	13-14

CENTURION LST

The Centurion LST range has been specifically designed to provide safe, durable and practical heating for areas where the care and safety of occupants is a primary concern.

KEY FEATURES

- ▶ Quick and easy to install, first fix option
- ▶ Alumaxx® High Performance Convectator
- ▶ 5 Heights, Widths ranging from 400mm to 2600mm
- ▶ Depths from 80mm to 275mm
- ▶ Full to floor single piece casing with inlet grille
- ▶ Optional anti-ligature / pencil proof grilles
- ▶ Optional remote adjustment and tamper proof valves
- ▶ 5 year guarantee



TECHNICAL DATA

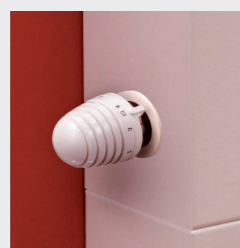
- ▶ Pipework connection size is R½ Flow and Return.
- ▶ Range of pipework connection options are available to suit any application; a choice of thermostatic controls for the combination valve (see below).
- ▶ Designed for use with LTHW with a maximum flow temperature of 90°C, maximum allowable pressure of 6 bar.
- ▶ Convectator heat exchanger suitable for MTHW with a maximum flow temperature of 130°C and 10 bar pressure rating is available to special order.
- ▶ A convectator is especially suitable for this type of emitter, where heat exchange by convection is more desirable than radiation. Typically, covering a radiator and so restricting radiant heat transfer will reduce heat emissions by up to 60% (NHS Estates Health Guidance Note 'Safe' hot water and surface temperatures, 1998).
- ▶ The one-piece cover is manufactured from 1mm electrolytically galvanised steel to EN 101052 and polyester/epoxy powder coated for a high quality finish. Easy to clean and a poor harbour for dust and micro-organisms.

THERMOSTATIC RADIATOR VALVES & CONTROLS

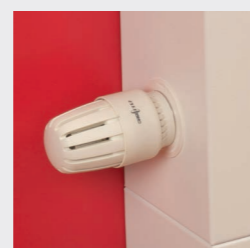
- ▶ The Herz combination valve, shown below, is the standard configuration valve offered by Clyde.
- ▶ The standard valve from Clyde is for 2-pipe systems.
- ▶ A 1-pipe system valve is available to special order.
- ▶ The Herz valve is exceptionally versatile with connections for copper, steel or plastic pipe.
- ▶ Pipe connections are nominal 15mm.
- ▶ A choice of three alternative valve heads are available for the combination valve and are shown below;



Standard Herz valve for 2-pipe system, shown with standard manual wheelhead



Standard TRV Valve



Anti-tamper TRV valve



Remote TRV valve

CENTURION LST



TECHNICAL DATA

The Centurion LST is quick and easy to install, The convectator can be installed and connected to the system during first fix, and the cover and TRV thermostatic control head fitted during second fix. See page 14 for more installation information and drawings.

PRODUCT FEATURES

- ▶ Easy to fit, first fix option
- ▶ Sturdy single piece casing
- ▶ Robust High Efficiency
- ▶ Low water content
- ▶ Aluminium & steel heat emitter
- ▶ Highly Durable powder coated finish prevent corrosion
- ▶ BSRIA tested



HEAT EMISSION RATES

- ▶ $\Delta T50$ (75°C / 65°C / 20°C)
- ▶ $\Delta T55.5$ (82°C / 71°C / 21°C)
- ▶ $\Delta T60$ (90°C / 70°C / 20°C)
- ▶ BS EN 442-1 conditions of $\Delta T50$

RANGE SELECTION

- ▶ 5 heights from 400mm-800mm
- ▶ 5 depths from 80mm-275mm
- ▶ 16 standard widths 400mm-2600mm
- ▶ Other lengths available to special order (up to a maximum of 2600mm)
- ▶ Standard connection TBSE (Top Bottom Same End) illustrated in fig 1
- ▶ Alternative connection options on page 12
- ▶ A cut-out in the casing for the valve head supplied as standard
- ▶ Alternative positions; bottom left, top right or top left (for remote sensing valve) or no cut-out (bottom entry connections) will be made to order.

TECHNICAL DRAWINGS

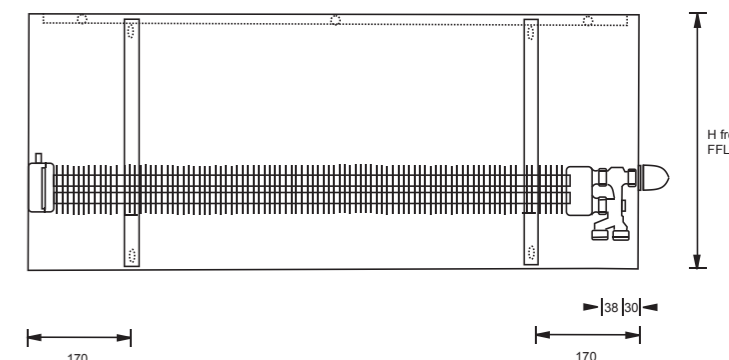


Fig 1. Centurion dimensions in mm, including pipe centres for Herz 2-pipe system valve. For height 'H' refer to data tables on pages 3-6

Centurion depth	Dimension A (mm)
75	32
125	52
175	77
225	102
275	127

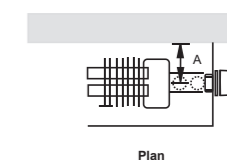
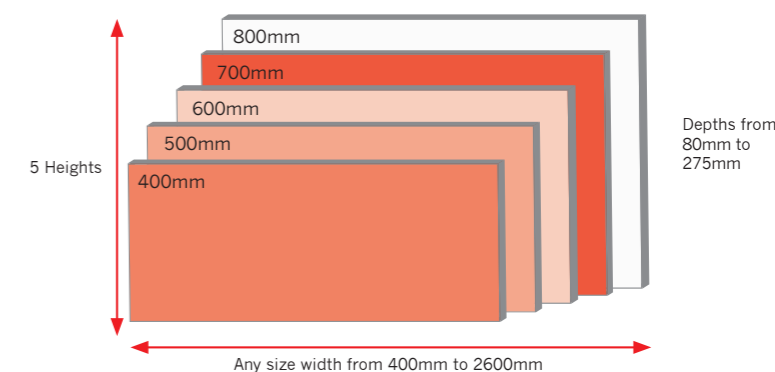


Fig 2. Distance of pipe centre from wall (dimension 'A') for each Centurion model

Any output can be achieved using variable size options for example; 800mm high x 1600mm wide x 125mm deep = 6529 Btu's / 1913 Watts

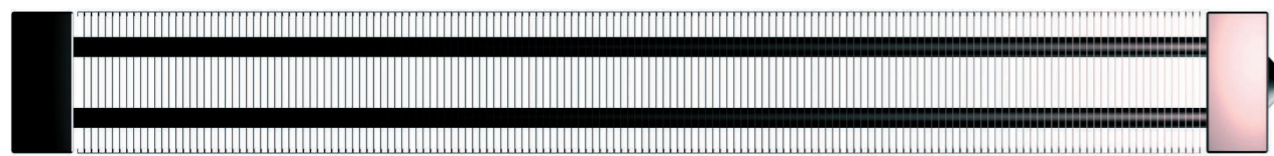


ALUMAXX® HIGH PERFORMANCE CONVECTOR

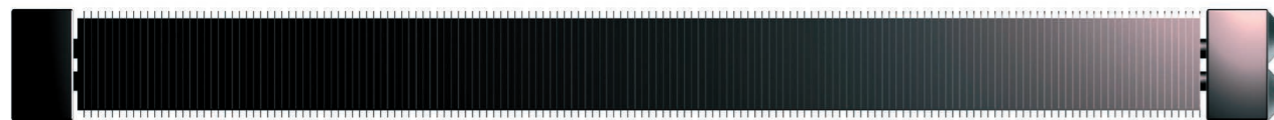
ALUMAXX® HPC; A UNIQUE HIGH PERFORMANCE CONVECTOR

The Alumaxx® High Performance Convactor uses a unique combination of steel and aluminium, guaranteeing a high heat output, low weight and superior construction. The design and number of the aluminium fins contribute to the unique character of the patented Alumaxx® HPC convactor.

TOP VIEW



SIDE VIEW

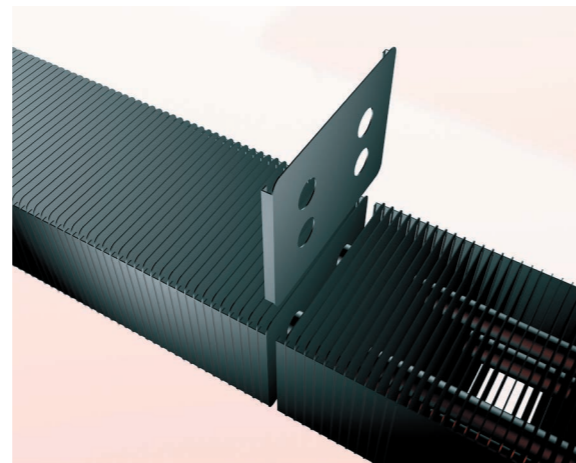
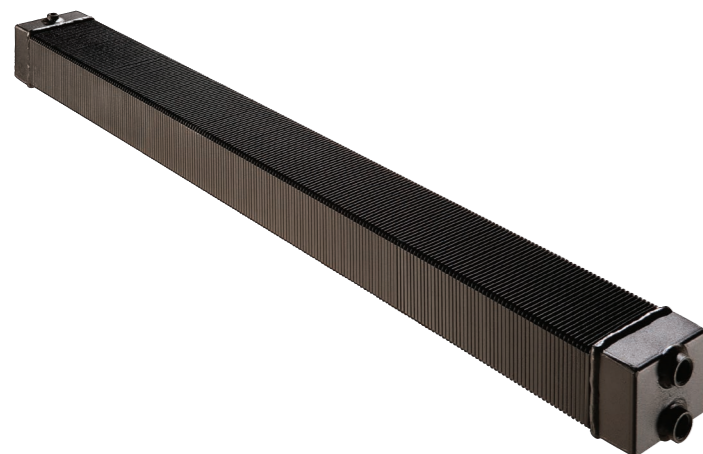


SOPHISTICATED DESIGN

The patented design of the fins of the Alumaxx® HPC convactor is essential to delivering a superior product, with double-angled edges creating both a larger surface area and a strong rigid construction.

With a greater surface area than simple flat fins, the Alumaxx® achieves high heat output for its size.

The double edge 'U' shaped design of the fins creates rigid, flat side walls with no sharp edges, reducing the chance of them being bent or crumpled when handled or fitted. This helps maintain the flow of air through the convactor.



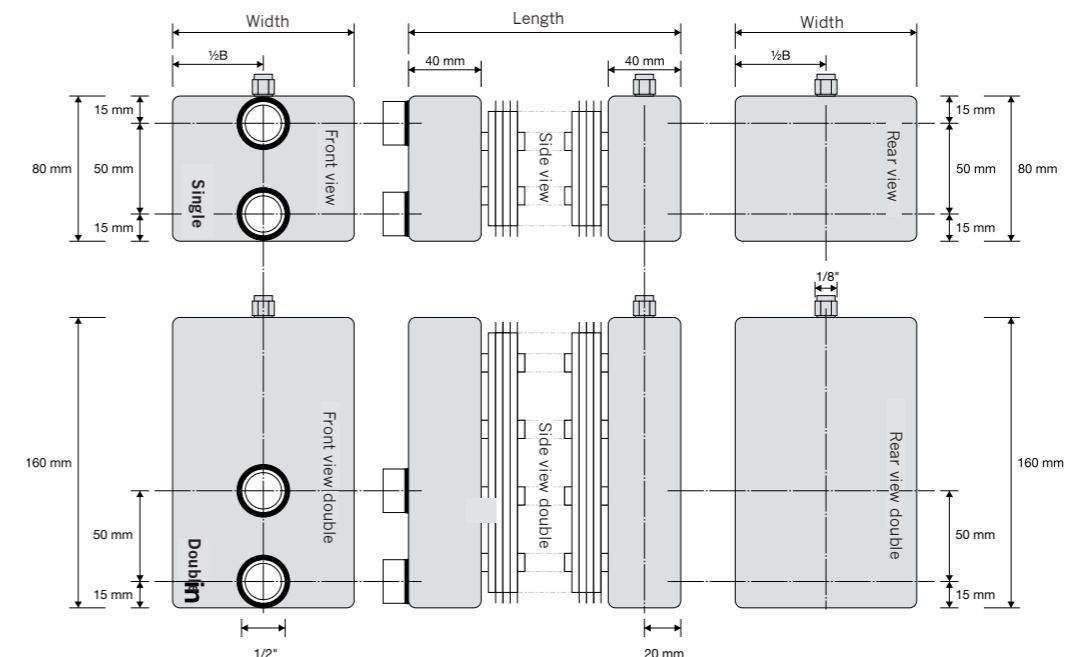
Each fin has shaped & interlocking edges for added strength

COLLECTOR

The Alumaxx® HPC is extremely versatile with 6 connection options for installation (see the illustrations and dimensions on pages 5 and 12). The standard version is Type B with flow and return on the same end, alternative configurations are available on request at no extra cost.



STANDARD - TYPE B

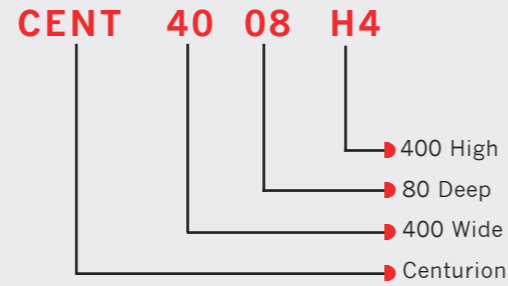


CENTURION SIZES $\Delta T50$ (75°C / 65°C / 20°C)

RADIATOR MODELS & CODES

- Tables below give outputs for each model height at $\Delta t50$
- 1st column = model reference (see right)
- 2nd/3rd column = standard width & depth
- 4th column = should be suffixed with required height i.e 400mm high = H4 (see right)
- Bespoke widths are available to special order to perfectly match any application

MODEL CODE (example)



SELECTING YOUR CENTURION LST;

- Choose model, height, width, depth and output as above
- Choose valve connection configuration from page 8. If no preference stated, standard configuration B (TBSE) will be provided
- Select the optionally available valve and TRV valve head from page 2
- Select the casing cut-out as page 3. If no preference is stated, bottom right cut-out will be supplied.

CENTURION SIZES $\Delta T50$ (75°C / 65°C / 20°C), HEIGHTS 400MM - 800MM

Model	Width (mm)	Depth (mm)	Height = 400mm		Height = 500mm		Height = 600mm		Height = 700mm		Height = 800mm	
			Weight (kg)	$\Delta T50$ (watts)	Weight (kg)	$\Delta T50$ (watts)	Weight (kg)	$\Delta T50$ (watts)	Weight (kg)	$\Delta T50$ (watts)	Weight (kg)	$\Delta T50$ (watts)
CENT4008H	400	80	3.4	187	3.8	212	4.2	238	3.4	248	3.8	254
CENT4012H	400	125	5	341	5.4	393	5.8	445	5	466	5.4	478
CENT4017H	400	175	6.2	489	6.6	565	7	628	6.2	682	6.6	711
CENT4022H	400	225	7.4	655	7.8	747	8.2	821	7.4	881	7.8	907
CENT4027H	400	275	9	810	9.4	930	9.8	1035	9	1091	9.4	1117
CENT5008H	500	80	4.25	234	4.75	266	5.25	298	4.25	308	4.75	317
CENT5012H	500	125	6.25	426	6.75	491	7.25	556	6.25	583	6.75	598
CENT5017H	500	175	7.75	612	8.25	706	8.75	785	7.75	853	8.25	889
CENT5022H	500	225	9.25	819	9.75	934	10.25	1027	9.25	1102	9.75	1134
CENT5027H	500	275	11.25	1012	11.75	1162	12.25	1294	11.25	1364	11.75	1396
CENT6008H	600	80	5.1	280	5.7	319	6.3	358	5.1	370	5.7	380
CENT6012H	600	125	7.5	511	8.1	589	8.7	667	7.5	700	8.1	717
CENT6017H	600	175	9.3	734	9.9	847	10.5	942	9.3	1023	9.9	1067
CENT6022H	600	225	11.1	982	11.7	1121	12.3	1232	11.1	1322	11.7	1381
CENT6027H	600	275	13.5	1214	14.1	1394	14.7	1553	13.5	1636	14.1	1676
CENT7008H	700	80	5.95	327	6.65	372	7.35	417	5.95	431	6.65	444
CENT7012H	700	125	8.75	596	9.45	687	10.15	778	8.75	818	9.45	837
CENT7017H	700	175	10.85	856	11.55	988	12.25	1099	10.85	1194	11.55	1245
CENT7022H	700	225	12.95	1146	13.65	1308	14.35	1437	12.95	1542	13.65	1588
CENT7027H	700	275	15.75	1417	16.45	1627	17.15	1812	15.75	1909	16.45	1954
CENT8008H	800	80	6.8	374	7.6	425	8.4	477	6.8	493	7.6	507
CENT8012H	800	125	10	682	10.8	786	11.6	890	10	933	10.8	956
CENT8017H	800	175	12.4	978	13.2	1130	14	1256	12.4	1364	13.2	1423
CENT8022H	800	225	14.8	1310	15.6	1494	16.4	1642	14.8	1762	15.6	1815
CENT8027H	800	275	18	1619	18.8	1859	19.6	2070	18	2182	18.8	2234
CENT9008H	900	80	7.65	420	8.55	478	9.45	536	7.65	554	8.55	571
CENT9012H	900	125	11.25	767	12.15	884	13.05	1001	11.25	1049	12.15	1076
CENT9017H	900	175	13.95	1101	14.85	1271	15.75	1413	13.95	1535	14.85	1600
CENT9022H	900	225	16.65	1473	17.55	1681	18.45	1848	16.65	1983	17.55	2042

CENTURION SIZES $\Delta T50$ (75°C / 65°C / 20°C), HEIGHTS 400MM - 800MM

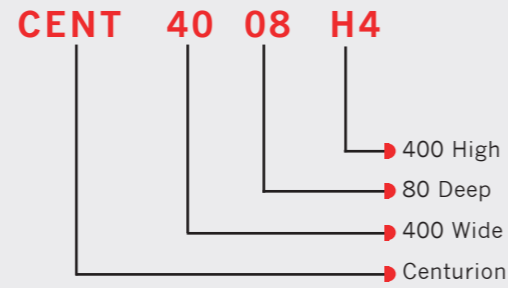
Model	Width (mm)	Depth (mm)	Height = 400mm		Height = 500mm		Height = 600mm		Height = 700mm		Height = 800mm	
			Weight (kg)	$\Delta T50$ (watts)	Weight (kg)	$\Delta T50$ (watts)	Weight (kg)	$\Delta T50$ (watts)	Weight (kg)	$\Delta T50$ (watts)	Weight (kg)	$\Delta T50$ (watts)
CENT9027H	900	275	20.25	1822	21.15	2092	22.05	2329	20.25	2454	21.15	2513
CENT1008H	1000	80	8.5	467	9.5	531	10.5	596	8.5	616	9.5	634
CENT1012H	1000	125	12.5	852	13.5	982	14.5	1112	12.5	1166	13.5	1196
CENT1017H	1000	175	15.5	1223	16.5	1412	17.5	1570	15.5	1705	16.5	1778
CENT1022H	1000	225	18.5	1637	19.5	1868	20.5	2053	18.5	2203	19.5	2269
CENT1027H	1000	275	22.5	2024	23.5	2324	24.5	2588	22.5	2727	23.5	2792
CENT1108H	1100	80	9.35	514	10.45	584	11.55	656	9.35	678	10.45	697
CENT1112H	1100	125	13.75	937	14.85	1080	15.95	1223	13.75	1283	14.85	1315
CENT1117H	1100	175	17.05	1345	18.15	1553	19.25	1727	17.05	1876	18.15	1956
CENT1122H	1100	225	20.35	1801	21.45	2055	22.55	2258	20.35	2423	21.45	2496
CENT1127H	1100	275	24.75	2226	25.85	2556	26.95	2847	24.75	3000	25.85	3071
CENT1208H	1200	80	10.2	560	14.85	637	12.6	715	10.2	739	32.4	761
CENT1212H	1200	125	15	1022	18.15	1178	17.4	1334	15	1399	39.6	1435
CENT1217H	1200	175	18.6	1488	21.45	1694	21	1884	18.6	2048	46.8	2134
CENT1222H	1200	225	22.2	1964	25.85	2242	24.6	2464	22.2	2644	56.4	2722
CENT1227H	1200	275	27	2429	28.2	2789	29.4	3106	27	3272	24.7	3350
CENT1408H	1400	80	11.9	654	13.3	743	14.7	834	11.9	862	35.1	888
CENT1412H	1400	125	17.5	1193	18.9	1375	20.3	1557	17.5	1632	42.9	1874
CENT1417H	1400	175	21.7	1712	23.1	1977	24.5	2198	21.7	2387	23.1	2489
CENT1422H	1400	225	25.9	2292	27.3	2615	28.7	2874	25.9	3084	27.3	3176
CENT1427H	1400	275	31.5	2834	32.9	3254	34.3	3623	31.5	3818	32.9	3909
CENT1608H	1600	80	13.6	747	15.2	850	16.8	954	13.6	988	15.2	1014
CENT1612H	1600	125	20	1363	21.6	1571	23.2	1779	20	1866	21.6	1913
CENT1617H	1600	175	24.8	1957	11.4	2259	28	2512	24.8	2728	11.4	2845
CENT1622H	1600	225	29.6	2619	16.2	2989	32.8	3285	29.6	3525	16.2	3630
CENT1627H	1600	275	36	3238	19.8	3718	39.2	4141	36	4363	19.8	4467
CENT1808H	1800	80	15.3	841	23.4	956	18.9	1073	15.3	1109	23.4	1141
CENT1812H	1800	125	22.5	1534	28.2	1768	26.1	2002	22.5	2099	28.2	2162
CENT1817H	1800	175	27.9	2201	13.3	2542	31.5	2826	27.9	3069	13.3	3201
CENT1822H	1800	225	33.3	2947	18.9	3362	36.9	3695	33.3	3965	18.9	4084
CENT1827H	1800	275	40.5	3643	23.1	4183	44.1	4658	40.5	4909	23.1	5026
CENT2008H	2000	80	17	934	27.3	1062	21	1192	17	1232	27.3	1268
CENT2012H	2000	125	25	1704	32.9	1964	29	2224	25	2332	32.9	2391
CENT2017H	2000	175	31	2446	15.2	2824	35	3140	31	3410	15.2	3556
CENT2022H	2000	225	37	3274	21.6	3736	41	4106	37	4406	21.6	4537
CENT2027H	2000	275	45	4048	26.4	4648	49	5178	45	5454	26.4	5584
CENT2208H	2200	80	18.7	1027	31.2	1168	23.1	1311	18.7	1355	31.2	1395
CENT2212H	2200	125	27.5	1874	37.6	2160	31.9	2446	27.5	2565	37.6	2630
CENT2217H	2200	175	34.1	2691	17.1	3106	38.5	3454	34.1	3761	17.1	3912
CENT2222H	2200	225	40.7	3601	24.3	4110	45.1	4517	40.7	4847	24.3	4991
CENT2227H	2200	275	49.5	4453	29.7	5113	53.9	5694	49.5	5999	29.7	6142
CENT2408H	2400	80	20.4	1121	35.1	1274	25.2	1430	20.4	1478	35.1	1522
CENT2412H	2400	125	30	2045	42.3	2357	34.8	2669	30	2798	42.3	2869
CENT2417H	2400	175	37.2	2935	19	3389	42	3768	37.2	4092	19	4268
CENT2422H	2400	225	44.4	3929	27	4483	49.2	4927	44.4	5287	27	5445
CENT2427H	2400	275	54	4858	33	5578	58.8	6211	54	6546	33	6701
CENT2608H	2600	80	22.1	1214	39	1381	27.3	1550	22.1	1602	39	1649
CENT2612H	2600	125	32.5	2215	47	2553	37.7	2891	32.5	3032	47	3109
CENT2617H	2600	175	40.3	3180	20.9	3671	45.5	4082	40.3	4433	20.9	4623

CENTURION SIZES $\Delta T55.5$ (82°C / 71°C / 21°C)

RADIATOR MODELS & CODES

- Tables below give outputs for each model height at $\Delta T55.5$
- 1st column = model reference (see right)
- 2nd/3rd column = standard width & depth
- 4th column = should be suffixed with required height i.e 400mm high = H4 (see right)
- Bespoke widths are available to special order to perfectly match any application

MODEL CODE (example)



SELECTING YOUR CENTURION LST;

- Choose model, height, width, depth and output as above
- Choose valve connection configuration from page 8. If no preference stated, standard configuration B (TBSE) will be provided
- Select the optionally available valve and TRV valve head from page 2
- Select the casing cut-out as page 3. If no preference is stated, bottom right cut-out will be supplied.

CENTURION SIZES $\Delta T55.5$ (82°C / 71°C / 21°C), HEIGHTS 400MM - 800MM

Model	Width (mm)	Depth (mm)	Height = 400mm		Height = 500mm		Height = 600mm		Height = 700mm		Height = 800mm	
			Weight (kg)	$\Delta T55.5$ (watts)	Weight (kg)	$\Delta T55.5$ (watts)	Weight (kg)	$\Delta T55.5$ (watts)	Weight (kg)	$\Delta T55.5$ (watts)	Weight (kg)	$\Delta T55.5$ (watts)
CENT4008H	400	80	3.4	217	3.8	246	4.2	276	3.4	288	3.8	295
CENT4012H	400	125	5	396	5.4	456	5.8	516	5	541	5.4	554
CENT4017H	400	175	6.2	567	6.6	655	7	728	6.2	791	6.6	825
CENT4022H	400	225	7.4	760	7.8	867	8.2	952	7.4	1022	7.8	1052
CENT4027H	400	275	9	940	9.4	1079	9.8	1201	9	1266	9.4	1296
CENT5008H	500	80	4.25	271	4.75	309	5.25	346	4.25	357	4.75	368
CENT5012H	500	125	6.25	494	6.75	570	7.25	645	6.25	676	6.75	694
CENT5017H	500	175	7.75	710	8.25	819	8.75	911	7.75	989	8.25	1031
CENT5022H	500	225	9.25	950	9.75	1083	10.25	1191	9.25	1278	9.75	1315
CENT5027H	500	275	11.25	1174	11.75	1348	12.25	1501	11.25	1582	11.75	1619
CENT6008H	600	80	5.1	325	5.7	370	6.3	415	5.1	429	5.7	441
CENT6012H	600	125	7.5	593	8.1	683	8.7	774	7.5	812	8.1	832
CENT6017H	600	175	9.3	851	9.9	983	10.5	1093	9.3	1187	9.9	1238
CENT6022H	600	225	11.1	1139	11.7	1300	12.3	1429	11.1	1534	11.7	1602
CENT6027H	600	275	13.5	1408	14.1	1617	14.7	1801	13.5	1898	14.1	1944
CENT7008H	700	80	5.95	379	6.65	432	7.35	484	5.95	500	6.65	515
CENT7012H	700	125	8.75	691	9.45	797	10.15	902	8.75	949	9.45	971
CENT7017H	700	175	10.85	993	11.55	1146	12.25	1275	10.85	1385	11.55	1444
CENT7022H	700	225	12.95	1329	13.65	1517	14.35	1667	12.95	1789	13.65	1842
CENT7027H	700	275	15.75	1644	16.45	1887	17.15	2102	15.75	2214	16.45	2267
CENT8008H	800	80	6.8	434	7.6	493	8.4	553	6.8	572	7.6	588
CENT8012H	800	125	10	791	10.8	912	11.6	1032	10	1082	10.8	1109
CENT8017H	800	175	12.4	1134	13.2	1311	14	1457	12.4	1582	13.2	1651
CENT8022H	800	225	14.8	1520	15.6	1733	16.4	1905	14.8	2044	15.6	2105
CENT8027H	800	275	18	1878	18.8	2156	19.6	2401	18	2531	18.8	2591
CENT9008H	900	80	7.65	487	8.55	554	9.45	622	7.65	643	8.55	662
CENT9012H	900	125	11.25	890	12.15	1025	13.05	1161	11.25	1217	12.15	1248
CENT9017H	900	175	13.95	1277	14.85	1474	15.75	1639	13.95	1781	14.85	1856
CENT9022H	900	225	16.65	1709	17.55	1950	18.45	2144	16.65	2300	17.55	2369

CENTURION SIZES $\Delta T55.5$ (82°C / 71°C / 21°C), HEIGHTS 400MM - 800MM

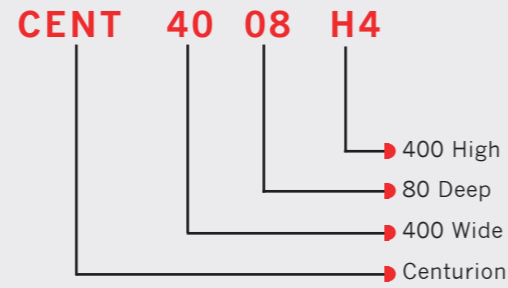
Model	Width (mm)	Depth (mm)	Height = 400mm		Height = 500mm		Height = 600mm		Height = 700mm		Height = 800mm	
			Weight (kg)	$\Delta T55.5$ (watts)	Weight (kg)	$\Delta T55.5$ (watts)	Weight (kg)	$\Delta T55.5$ (watts)	Weight (kg)	$\Delta T55.5$ (watts)	Weight (kg)	$\Delta T55.5$ (watts)
CENT9027H	900	275	20.25	2114	21.15	2427	22.05	2702	20.25	2847	21.15	2915
CENT1008H	1000	80	8.5	542	9.5	616	10.5	691	8.5	715	9.5	735
CENT1012H	1000	125	12.5	988	13.5	1139	14.5	1290	12.5	1353	13.5	1387
CENT1017H	1000	175	15.5	1419	16.5	1638	17.5	1821	15.5	1978	16.5	2062
CENT1022H	1000	225	18.5	1899	19.5	2167	20.5	2381	18.5	2555	19.5	2632
CENT1027H	1000	275	22.5	2348	23.5	2696	24.5	3002	22.5	3163	23.5	3239
CENT1108H	1100	80	9.35	596	10.45	677	11.55	761	9.35	786	10.45	809
CENT1112H	1100	125	13.75	1087	14.85	1253	15.95	1419	13.75	1488	14.85	1525
CENT1117H	1100	175	17.05	1560	18.15	1801	19.25	2003	17.05	2176	18.15	2269
CENT1122H	1100	225	20.35	2089	21.45	2384	22.55	2619	20.35	2811	21.45	2895
CENT1127H	1100	275	24.75	2582	25.85	2965	26.95	3303	24.75	3480	25.85	3562
CENT1208H	1200	80	10.2	650	14.85	739	12.6	829	10.2	857	32.4	883
CENT1212H	1200	125	15	1186	18.15	1366	17.4	1547	15	1623	39.6	1665
CENT1217H	1200	175	18.6	1726	21.45	1965	21	2185	18.6	2376	46.8	2475
CENT1222H	1200	225	22.2	2278	25.85	2601	24.6	2858	22.2	3067	56.4	3158
CENT1227H	1200	275	27	2818	28.2	3235	29.4	3603	27	3796	24.7	3886
CENT1408H	1400	80	11.9	759	13.3	862	14.7	967	11.9	1000	35.1	1030
CENT1412H	1400	125	17.5	1384	18.9	1595	20.3	1806	17.5	1893	42.9	2174
CENT1417H	1400	175	21.7	1986	23.1	2293	24.5	2550	21.7	2769	23.1	2887
CENT1422H	1400	225	25.9	2659	27.3	3033	28.7	3334	25.9	3577	27.3	3684
CENT1427H	1400	275	31.5	3287	32.9	3775	34.3	4203	31.5	4429	32.9	4534
CENT1608H	1600	80	13.6	867	15.2	986	16.8	1107	13.6	1146	15.2	1176
CENT1612H	1600	125	20	1581	21.6	1822	23.2	2064	20	2165	21.6	2219
CENT1617H	1600	175	24.8	2270	11.4	2620	28	2914	24.8	3164	11.4	3300
CENT1622H	1600	225	29.6	3038	16.2	3467	32.8	3811	29.6	4089	16.2	4211
CENT1627H	1600	275	36	3756	19.8	4313	39.2	4804	36	5061	19.8	5182
CENT1808H	1800	80	15.3	976	23.4	1109	18.9	1245	15.3	1286	23.4	1324
CENT1812H	1800	125	22.5	1779	28.2	2051	26.1	2322	22.5	2435	28.2	2508
CENT1817H	1800	175	27.9	2553	13.3	2949	31.5	3278	27.9	3560	13.3	3713
CENT1822H	1800	225	33.3	3419	18.9	3900	36.9	4286	33.3	4599	18.9	4737
CENT1827H	1800	275	40.5	4226	23.1	4852	44.1	5403	40.5	5694	23.1	5830
CENT2008H	2000	80	17	1083	27.3	1232	21	1383	17	1429	27.3	1471
CENT2012H	2000	125	25	1977	32.9	2278	29	2580	25	2705	32.9	2774
CENT2017H	2000	175	31	2837	15.2	3276	35	3642	31	3956	15.2	4125
CENT2022H	2000	225	37	3798	21.6	4334	41	4763	37	5111	21.6	5263
CENT2027H	2000	275	45	4696	26.4	5392	49	6006	45	6327	26.4	6477
CENT2208H	2200	80	18.7	1191	31.2	1355	23.1	1521	18.7	1572	31.2	1618
CENT2212H	2200	125	27.5	2174	37.6	2506	31.9	2837	27.5	2975	37.6	3051
CENT2217H	2200	175	34.1	3122	17.1	3603	38.5	4007	34.1	4363	17.1	4538
CENT2222H	2200	225	40.7	4177	24.3	4768	45.1	5240	40.7	5623	24.3	5790
CENT2227H	2200	275	49.5	5165	29.7	5931	53.9	6605	49.5	6959	29.7	7125
CENT2408H	2400	80	20.4	1300	35.1	1478	25.2	1659	20.4	1714	35.1	1766
CENT2412H	2400	125	30	2372	42.3	2734	34.8	3096	30	3246	42.3	3328
CENT2417H	2400	175	37.2	3405	19	3931	42	4371	37.2	4747	19	4951
CENT2422H	2400	225	44.4	4558	27	5200	49.2	5715	44.4	6133	27	6316
CENT2427H	2400	275	54	5635	33	6470	58.8	7205	54	7593	33	7773
CENT2608H	2600	80	22.1	1408	39	1602	27.3	1798	22.1	1858	39	1913
CENT2612H	2600	125	32.5	2569	47	2961	37.7	3354	32.5	3517	47	3606
CENT2617H	2600	175	40.3	3689	20.9	4258	45.5	4735	40.3	5142	20.9	5363

CENTURION SIZES $\Delta T60$ (90°C / 70°C / 20°C)

RADIATOR MODELS & CODES

- Tables below give outputs for each model height at $\Delta t60$
- 1st column = model reference (see right)
- 2nd/3rd column = standard width & depth
- 4th column = should be suffixed with required height i.e 400mm high = H4 (see right)
- Bespoke widths are available to special order to perfectly match any application

MODEL CODE (example)



SELECTING YOUR CENTURION LST;

- Choose model, height, width, depth and output as above
- Choose valve connection configuration from page 8. If no preference stated, standard configuration B (TBSE) will be provided
- Select the optionally available valve and TRV valve head from page 2
- Select the casing cut-out as page 3. If no preference is stated, bottom right cut-out will be supplied.

CENTURION SIZES $\Delta T60$ (90°C / 70°C / 20°C), HEIGHTS 400MM - 800MM

Model	Width (mm)	Depth (mm)	Height = 400mm		Height = 500mm		Height = 600mm		Height = 700mm		Height = 800mm	
			Weight (kg)	$\Delta T60$ (watts)	Weight (kg)	$\Delta T60$ (watts)	Weight (kg)	$\Delta T60$ (watts)	Weight (kg)	$\Delta T60$ (watts)	Weight (kg)	$\Delta T60$ (watts)
CENT4008H	400	80	3.4	240	3.8	274	4.2	308	3.4	317	3.8	324
CENT4012H	400	125	5	437	5.4	506	5.8	576	5	600	5.4	611
CENT4017H	400	175	6.2	640	6.6	734	7	811	6.2	878	6.6	912
CENT4022H	400	225	7.4	861	7.8	976	8.2	1064	7.4	1137	7.8	1164
CENT4027H	400	275	9	1064	9.4	1213	9.8	1342	9	1407	9.4	1433
CENT5008H	500	80	4.25	300	4.75	342	5.25	386	4.25	398	4.75	405
CENT5012H	500	125	6.25	547	6.75	633	7.25	720	6.25	760	6.75	763
CENT5017H	500	175	7.75	801	8.25	918	8.75	1014	7.75	1098	8.25	1140
CENT5022H	500	225	9.25	1076	9.75	1220	10.25	1331	9.25	1421	9.75	1456
CENT5027H	500	275	11.25	1330	11.75	1617	12.25	1677	11.25	1759	11.75	1791
CENT6008H	600	80	5.1	359	5.7	410	6.3	463	5.1	476	5.7	486
CENT6012H	600	125	7.5	656	8.1	760	8.7	864	7.5	900	8.1	916
CENT6017H	600	175	9.3	961	9.9	1102	10.5	1217	9.3	1317	9.9	1368
CENT6022H	600	225	11.1	1291	11.7	1463	12.3	1597	11.1	1706	11.7	1747
CENT6027H	600	275	13.5	1596	14.1	1820	14.7	2012	13.5	2111	14.1	2149
CENT7008H	700	80	5.95	419	6.65	479	7.35	540	5.95	554	6.65	567
CENT7012H	700	125	8.75	765	9.45	886	10.15	1008	8.75	1050	9.45	1069
CENT7017H	700	175	10.85	1121	11.55	1285	12.25	1420	10.85	1537	11.55	1596
CENT7022H	700	225	12.95	1506	13.65	1707	14.35	1863	12.95	1989	13.65	2038
CENT7027H	700	275	15.75	1862	16.45	2123	17.15	2348	15.75	2463	16.45	2507
CENT8008H	800	80	6.8	479	7.6	547	8.4	617	6.8	634	7.6	648
CENT8012H	800	125	10	874	10.8	1013	11.6	1152	10	1200	10.8	1221
CENT8017H	800	175	12.4	1281	13.2	1469	14	1622	12.4	1756	13.2	1824
CENT8022H	800	225	14.8	1722	15.6	1951	16.4	2129	14.8	2274	15.6	2329
CENT8027H	800	275	18	2128	18.8	2426	19.6	2683	18	2814	18.8	2865
CENT9008H	900	80	7.65	539	8.55	616	9.45	694	7.65	713	8.55	729
CENT9012H	900	125	11.25	984	12.15	1139	13.05	1296	11.25	1350	12.15	1374
CENT9017H	900	175	13.95	1441	14.85	1652	15.75	1825	13.95	1978	14.85	2052
CENT9022H	900	225	16.65	1937	17.55	2195	18.45	2395	16.65	2558	17.55	2620

CENTURION SIZES $\Delta T60$ (90°C / 70°C / 20°C), HEIGHTS 400MM - 800MM

Model	Width (mm)	Depth (mm)	Height = 400mm		Height = 500mm		Height = 600mm		Height = 700mm		Height = 800mm	
			Weight (kg)	$\Delta T60$ (watts)	Weight (kg)	$\Delta T60$ (watts)	Weight (kg)	$\Delta T60$ (watts)	Weight (kg)	$\Delta T60$ (watts)	Weight (kg)	$\Delta T60$ (watts)
CENT9027H	900	275	20.25	2394	21.15	2730	22.05	3019	20.25	3166	21.15	3223
CENT1008H	1000	80	8.5	599	9.5	684	10.5	771	8.5	792	9.5	809
CENT1012H	1000	125	12.5	1093	13.5	1266	14.5	1440	12.5	1500	13.5	1527
CENT1017H	1000	175	15.5	1601	16.5	1836	17.5	2028	15.5	2196	16.5	2280
CENT1022H	1000	225	18.5	2152	19.5	2439	20.5	2661	18.5	2842	19.5	2911
CENT1027H	1000	275	22.5	2660	23.5	3033	24.5	3354	22.5	3518	23.5	3581
CENT1108H	1100	80	9.35	659	10.45	752	11.55	848	9.35	871	10.45	890
CENT1112H	1100	125	13.75	1202	14.85	1393	15.95	1584	13.75	1660	14.85	1680
CENT1117H	1100	175	17.05	1761	18.15	2020	19.25	2231	17.05	2416	18.15	2509
CENT1122H	1100	225	20.35	2367	21.45	2683	22.55	2927	20.35	3126	21.45	3202
CENT1127H	1100	275	24.75	2926	25.85	3336	26.95	3689	24.75	3870	25.85	3940
CENT1208H	1200	80	10.2	719	14.85	821	12.6	925	10.2	950	32.4	971
CENT1212H	1200	125	15	1312	18.15	1519	17.4	1728	15	1800	39.6	1832
CENT1217H	1200	175	18.6	1921	21.45	2203	21	2434	18.6	2634	46.8	2737
CENT1222H	1200	225	22.2	2582	25.85	2927	24.6	3193	22.2	3410	56.4	3493
CENT1227H	1200	275	27	3192	28.2	3640	29.4	4025	27	4222	24.7	4298
CENT1408H	1400	80	11.9	839	13.3	958	14.7	1079	11.9	1109	35.1	1133
CENT1412H	1400	125	17.5	1530	18.9	1772	20.3	2016	17.5	2100	42.9	2138
CENT1417H	1400	175	21.7	2241	23.1	2570	24.5	2839	21.7	3073	23.1	3193
CENT1422H	1400	225	25.9	3013	27.3	3415	28.7	3725	25.9	3979	27.3	4076
CENT1427H	1400	275	31.5	3724	32.9	4246	34.3	4696	31.5	4929	32.9	5014
CENT1608H	1600	80	13.6	958	15.2	1094	16.8	1234	13.6	1267	15.2	1295
CENT1612H	1600	125	20	1749	21.6	2026	23.2	2304	20	2400	21.6	2443
CENT1617H	1600	175	24.8	2562	11.4	2938	28	3245	24.8	3612	11.4	3649
CENT1622H	1600	225	29.6	3443	16.2	3902	32.8	4258	29.6	4547	16.2	4658
CENT1627H	1600	275	36	4256	19.8	4853	39.2	5366	36	5629	19.8	5730
CENT1808H	1800	80	15.3	1078	23.4	1231	18.9	1388	15.3	1428	23.4	1457
CENT1812H	1800	125	22.5	1967	28.2	2279	26.1	2592	22.5	2700	28.2	2748
CENT1817H	1800	175	27.9	2882	13.3	3305	31.5	3650	27.9	3951	13.3	4105
CENT1822H	1800	225	33.3	3874	18.9	4390	36.9	4790	33.3	5116	18.9	5240
CENT1827H	1800	275	40.5	4788	23.1	5459	44.1	6037	40.5	6332	23.1	6447
CENT2008H	2000	80	17	1198	27.3	1368	21	1542	17	1584	27.3	1619
CENT2012H	2000	125	25	2186	32.9	2532	29	2880	25	3000	32.9	3054
CENT2017H	2000	175	31	3202	15.2	3672	35	4056	31	4390	15.2	4561
CENT2022H	2000	225	37	4304	21.6	4878	41	5322	37	5684	21.6	5822
CENT2027H	2000	275	45	5320	26.4	6066	49	6708	45	7036	26.4	7163
CENT2208H	2200	80	18.7	1318	31.2	1505	23.1	1696	18.7	1742	31.2	1781
CENT2212H	2200	125	27.5	2405	37.6	2785	31.9	3168	27.5	3300	37.6	3359
CENT2217H	2200	175	34.1	3522	17.1	4039	38.5	4462	34.1	4829	17.1	5017
CENT2222H	2200	225	40.7	4734	24.3	5366	45.1	5854	40.7	6252	24.3	6404
CENT2227H	2200	275	49.5	5852	29.7	6673	53.9	7379	49.5	7740	29.7	7879
CENT2408H	2400	80	20.4	1438	35.1	1642	25.2	1850	20.4	1901	35.1	1943
CENT2412H	2400	125	30	2623	42.3	3038	34.8	3456	30	3600	42.3	3664
CENT2417H	2400	175	37.2	3842	19	4406	42	4867	37.2	5268	19	5473
CENT2422H	2400	225	44.4	5165	27	5854	49.2	6386	44.4	6821	27	6987
CENT2427H	2400	275	54	6384	33	7279	58.8	8050	54	8443	33	8595
CENT2608H	2600	80	22.1	1557	39	1778	27.3	2005	22.1	2059	39	2105
CENT2612H	2600	125	32.5	2842	47	3292	37.7	3744	32.5	3900	47	3970
CENT2617H	2600	175	40.3	4163	20.9	4774	45.5	5273	40.3	5707	20.9	5929

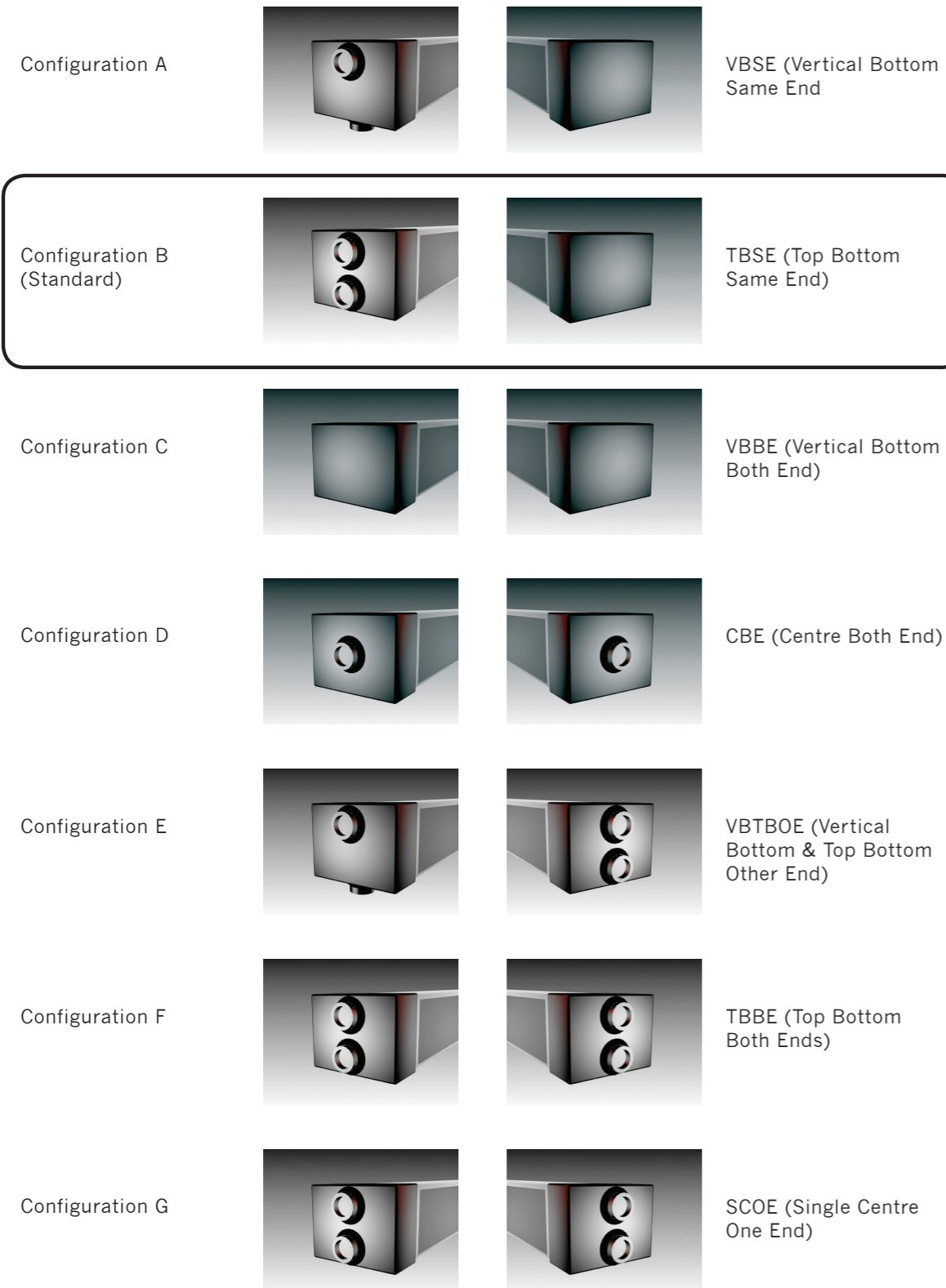
CONNECTION CONFIGURATIONS

PIPEWORK AND VALVE CONNECTION

The available connection configurations are shown below. All connections are R $\frac{1}{2}$.

FIG 3 CONNECTION CONFIGURATIONS

Please note that standard configuration B, highlighted below, would be used with the Herz valves supplied by Clyde.



INSTALLATION

PRELIMINARY

Before unpacking, please ensure that the delivered sizes and quantity are correct. Any shortages or damages must be notified to Clyde Radiators in writing within 7 days; Clyde Radiators, 13-14 Charlwoods Road, East Grinstead, West Sussex, RH19 2HU.

Unpack carefully and inspect the convector, cover and fittings. The following items should be identified;

- Convector
- Casing with selected valve head cut-outs
- Brackets and hanging straps. The number of these is dependant upon the convector dimensions
- Airvent
- Herz valve, TRV thermostatic valve head and changefix spanner if ordered

Fig 4 below is a diagram of the Centurion. Refer to figs 1 and 2 on page 3 for bracket fixing dimensions and pipe centres

INSTALLATION

The Centurion LST is quick and easy to install, as shown in the six steps on page 14. The convector can be installed and connected to the system during first fix, and the cover and TRV thermostatic control head fitted during second fix.

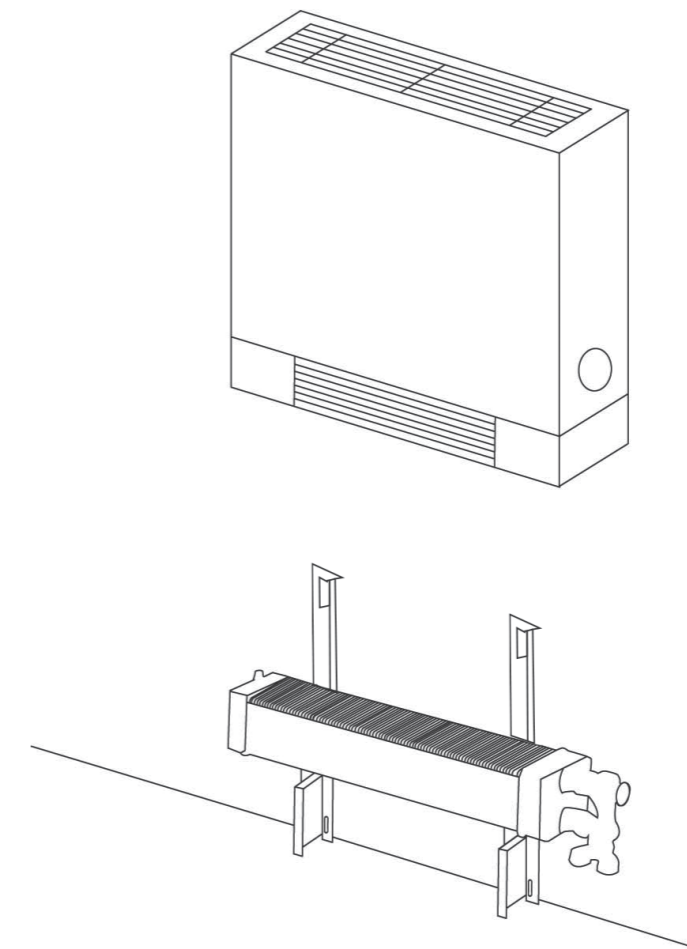



FIG 4 CENTURION DIAGRAM


INSTALLATION

STEP 1




STEP 1
Measure and fit wall brackets using suitable fixings (not supplied)
Refer to figs 1 and 2 on page 3 for fixing dimensions, minimum clearances and pipe centres.
The bottom of the brackets should be at FFL.

STEP 2




STEP 2
Fit the valve body and locate the convector onto the brackets.
Upright holding plates lock the convector into position.

STEP 3




STEP 3
Connect pipework to valves

STEP 4



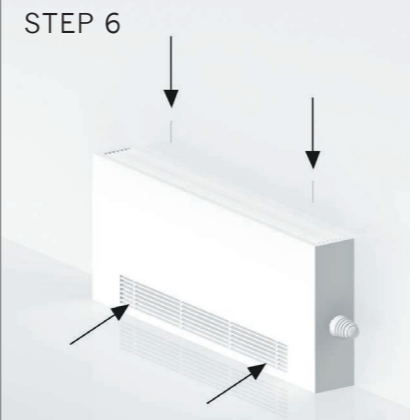
STEP 4
Locate the casing onto brackets with the valve head cut aligned with the valve body

STEP 5



STEP 5
Fit the selected valve head.
The optionally available changefix spanner ensures ease of access.

STEP 6



STEP 6
Secure the casing to the wall brackets at the top and bottom with self-tapping screws and a magnetic PH2 screwdriver.

ALTERNATIVE LST - THE SENTRY

An alternative option to the Centurion is the Sentry. This range of LST's provides an economical way to heat areas where a level of safety is required. Wall hung to an open base, the Sentry is available in 40 standard sizes or can be made order to achieve specific output requirements. A single piece body case means that it is easy to install and remove for cleaning.

PRODUCT FEATURES

- ▶ Easy to fit
- ▶ Single piece body case
- ▶ Robust High Efficiency
- ▶ Low water content
- ▶ Aluminium & steel heat emitter
- ▶ Highly Durable powder coated finish prevent corrosion
- ▶ Airvent included



See EDS 811 for full details

OTHER CLYDE PRODUCTS

Clyde Radiators

COMMERCIAL HEATING SOLUTIONS

- 4 Flat Panel radiators
- Lightweight & Efficient Sectional Aluminum
- Sectional Cast Iron in 4 styles
- Sectional Steel Multi Column in over 3200 sizes
- Trench: Practical aluminium convector for underfloor heating
- Mini: Aluminium and copper convector, in steel casing with aluminium grille



www.clyderadiators.co.uk