



COMMERCIAL HEATING SOLUTIONS



CAST IRON RADIATORS

Units 13-14 Charlwoods Road
East Grinstead, West Sussex, RH19 2HU
www.clyderadiators.co.uk 01342 305550

A brand of IRSAP, Italy's leading manufacturer of design led radiators.

EDS 777/1 03.11.20

Contents

Clyde is a brand of the IRSAP, Italy's leading manufacturer of design led radiators. With over 50 years experience, we have the expertise to produce the best in quality & customer service.

Clyde provides bespoke solutions for LSTs, Cast Iron, Multi Column and Aluminium radiators. With a wide range of traditional and contemporary radiators, Clyde's solution based approach is designed to ensure we supply the ideal solution for all commercial and industrial requirements.

Our dedicated team of technical advisors and estimators will discuss your installation including the calculation of your heat output requirements (from drawings if necessary), arrange a full quotation based on your exact project specifications and provide lead times. They can also arrange a site visit from our National Sales Network if required.

For more information about Clyde or any of our products, please contact our customer service department: 01342 305522 / 305566

Key Features & Technical Data	4-5
Selecting your Abode	6
Connections Configurations	7
Fixing & Handling	8-9
Assembling & Painting	10-11
Colour options & valves	12-14

ABODE

The Abode cast iron range is an ornate design with decorative ears and tasteful scroll work which will bring a touch of splendour to your home.

KEY FEATURES

- Ornate design with decorative ears
- 6 Heights
- 2 and 3 column options
- Footed ends only
- Painted in a choice of colours and special finishes please see pages 11-13 for more information

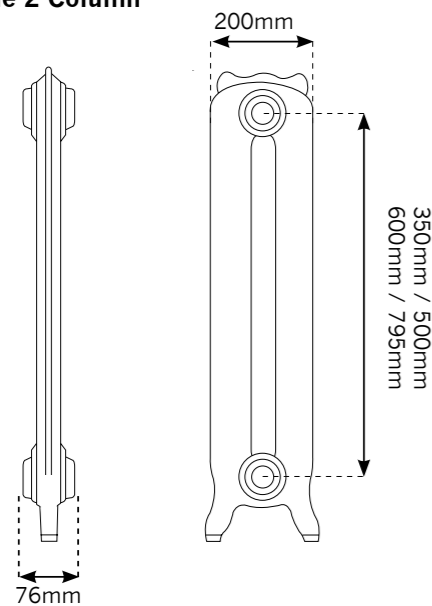


* Subject to correct handling, installation, water treatment and operation, Clyde Abode radiators are guaranteed against manufacturing defects for 20 years from date of despatch.

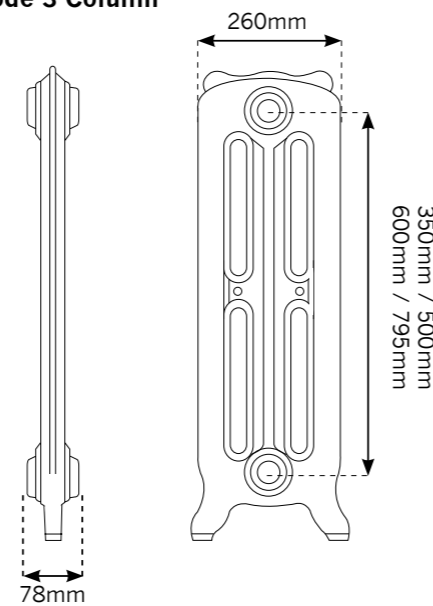
PACKING, HANDLING AND SITE WORK

- With large orders radiator sections will be supplied on pallets to facilitate handling.
- Accessories are delivered packed separately for fitting by the installer. It is important that radiators are protected from the elements during offloading and are stored in dry and adequately heated premises. After radiators have been removed from their pallets, they must be kept vertical whilst being carried to their installation locations to avoid damage to the section joints.
- Radiators are factory assembled and pressure tested in blocks of up to 10 sections. For longer radiators additional blocks are supplied complete with nipples and joints for site assembling.
- Joining Keys are optionally available where additional blocks are supplied, the below outlines the required key;
 - For 2 and 3 Column radiators;
 - If more than two blocks are joined to make a complete radiator; Heavy Duty Key
 - If there are 4 or more completed radiators to be made; Heavy Duty Key
 - If there are 3 or less complete radiators to make & each completed radiator needs only 2 blocks to be joined; Basic Key

Abode 2 Column



Abode 3 Column



TECHNICAL DATA

PRODUCT FEATURES

- Closed sections
- 2 - 3 column options
- Footed ends only
- Available in standard primer, 26 RAL colours, 30 Special finishes, Burnished & Lacquered finishes.
- Max. operating pressure of 10 Bar
- Cast Iron material complying with ISO 185.



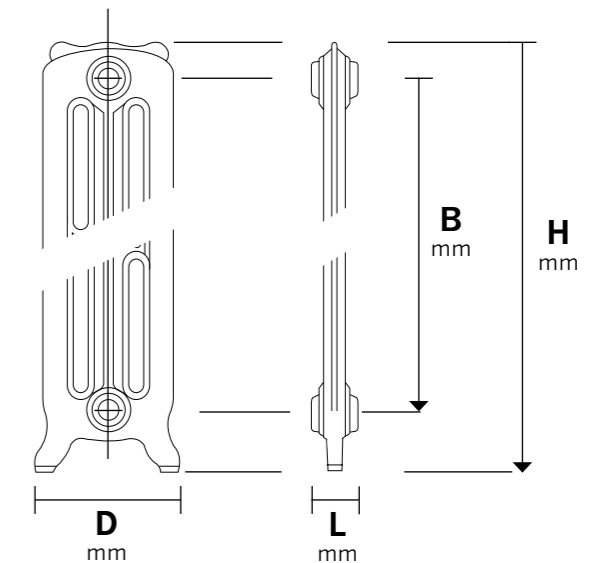
HEAT EMISSION RATES

- $\Delta T50$ (75°C / 65°C / 20°C)
- $\Delta T55.5$ (82°C / 71°C / 21°C)
- $\Delta T60$ (90°C / 70°C / 20°C)
- BS EN 442-1 conditions of $\Delta T50$

RANGE SELECTION

- 2 Column; 514mm, 661mm, 760mm, 955mm Heights
- 3 Column; 768mm, 961mm

TECHNICAL DRAWINGS



Model	BS EN442 Emission rates			Max. no. sections ** (recommended)	Section Details							
	75/65/20°C $\Delta T50$ watts	82/71/21°C $\Delta T55.5$ watts	90/70/20°C DT60 watts		overall length* L mm	overall height H mm	Bore centres B mm	Columns	Depth D mm	Dry Weight (Kg)	Water Content (Litres)	Surface Area (m ²)
MIABOD2C51	110	124	140	40	76	450	350	2	200	7.5	1.83	1.83
MIABOD2C51FS	110	124	140	40	76	514	350	2	200	8.6	1.83	1.83
ABOD2C66	130	147	165	40	76	600	500	2	200	10.61	2.18	2.18
ABOD2C66FS	130	147	165	40	76	661	500	2	200	11.82	2.18	2.18
ABOD2C76	143	162	182	40	76	700	600	2	200	11.80	2.64	2.64
ABOD2C76FS	143	162	182	40	76	760	600	2	200	13.78	2.64	2.64
ABOD2C95	168	190	213	40	76	895	795	2	200	14.47	3.35	3.35
ABOD2C95FS	168	190	213	40	76	955	795	2	200	16.08	3.35	3.35
ABOD3C76	189	214	240	40	78	708	600	3	260	12.78	3.05	3.05
ABOD3C76FS	189	214	240	40	78	768	600	3	260	13.61	3.05	3.05
ABOD3C96	221	250	281	40	78	890	795	3	260	17.78	3.5	3.5
ABOD3C96FS	221	250	281	40	78	961	795	3	260	18.61	3.5	3.5

QUICK SIZING CHARTS

ΔT50 (75°C / 65°C / 20°C) BS EN442-1:1995

Model	Watts per section	Radiator emission in kilowatts											
		0.6	0.8	1.0	1.25	1.5	1.75	2.0	2.5	3.0	4.0	5.0	6.0
		Nearest number of sections required											
MIABOD2C51	110	5	7	9	11	14	16	18	23	27	36	—	—
MIABOD2C51FS	110	5	7	9	11	14	16	18	23	27	36	—	—
ABOD2C66	130	5	6	8	10	12	13	15	19	23	31	38	—
ABOD2C66FS	130	5	6	8	10	12	13	15	19	23	31	38	—
ABOD2C76	143	4	6	7	9	10	12	14	17	21	28	35	—
ABOD2C76FS	143	4	6	7	9	10	12	14	17	21	28	35	—
ABOD2C95	168	4	5	6	7	9	10	12	15	18	24	30	36
ABOD2C95FS	168	4	5	6	7	9	10	12	15	18	24	30	36
ABOD3C76	189	3	4	5	7	8	9	11	13	16	21	26	32
ABOD3C76FS	189	3	4	5	7	8	9	11	13	16	21	26	32
ABOD3C96	221	3	4	5	6	7	8	9	11	14	18	23	27
ABOD3C96FS	221	3	4	5	6	7	8	9	11	14	18	23	27

ΔT55.5 (82°C / 71°C / 21°C)

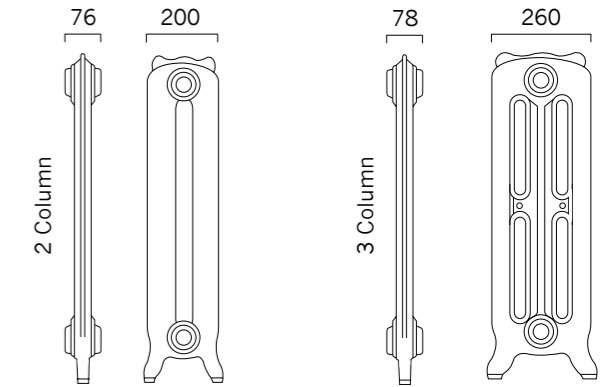
Model	Watts per section	Radiator emission in kilowatts											
		0.6	0.8	1.0	1.25	1.5	1.75	2.0	2.5	3.0	4.0	5.0	6.0
		Nearest number of sections required											
MIABOD2C51	124	5	6	8	10	12	14	16	20	24	32	40	—
MIABOD2C51FS	124	5	6	8	10	12	14	16	20	24	32	40	—
ABOD2C66	147	4	5	7	9	10	12	14	17	20	27	34	—
ABOD2C66FS	147	4	5	7	9	10	12	14	17	20	27	34	—
ABOD2C76	162	4	5	6	8	9	11	12	15	19	25	31	37
ABOD2C76FS	162	4	5	6	8	9	11	12	15	19	25	31	37
ABOD2C95	190	3	4	5	7	8	9	11	13	16	21	26	32
ABOD2C95FS	190	3	4	5	7	8	9	11	13	16	21	26	32
ABOD3C76	214	3	4	5	6	7	8	9	12	14	19	23	28
ABOD3C76FS	214	3	4	5	6	7	8	9	12	14	19	23	28
ABOD3C96	250	2	3	4	5	6	7	8	10	12	16	20	24
ABOD3C96FS	250	2	3	4	5	6	7	8	10	12	16	20	24

ΔT60 (90°C / 70°C / 20°C)

Model	Watts per section	Radiator emission in kilowatts											
		0.6	0.8	1.0	1.25	1.5	1.75	2.0	2.5	3.0	4.0	5.0	6.0
		Nearest number of sections required											
MIABOD2C51	140	4	6	7	9	11	13	14	18	21	29	36	—
MIABOD2C51FS	140	4	6	7	9	11	13	14	18	21	29	36	—
ABOD2C66	165	4	5	6	8	9	11	12	15	18	24	30	36
ABOD2C66FS	165	4	5	6	8	9	11	12	15	18	24	30	36
ABOD2C76	182	3	4	6	7	8	10	11	14	17	22	28	33
ABOD2C76FS	182	3	4	6	7	8	10	11	14	17	22	28	33
ABOD2C95	213	3	4	5	6	7	8	9	12	14	19	23	28
ABOD2C95FS	213	3	4	5	6	7	8	9	12	14	19	23	28
ABOD3C76	240	2	3	4	5	6	7	8	10	12	17	21	25
ABOD3C76FS	240	2	3	4	5	6	7	8	10	12	17	21	25
ABOD3C96	281	2	3	4	4	5	6	7	9	11	14	18	21
ABOD3C96FS	281	2	3	4	4	5	6	7	9	11	14	18	21

PIPE CENTRES & TECHNICAL DRAWINGS

Abode	Pipe centres left to right	Pipe centres from wall
2 Column	76 x number of sections + 24mm bushes + valves	As a freestanding radiator pipe centres depend on final position
3 Column	78 x number of sections + 24mm bushes + valves	As a freestanding radiator pipe centres depend on final position



CONNECTIONS

All connection fittings, including joining nipples for site assembling of blocks, must be dry jointed using the joint rings supplied. Thread pastes or tapes with or without packing such as hemp **must not be used**. All machined faces and threads must be thoroughly cleaned before joining.

A set of connection fittings and joint rings is provided for each radiator.

Each set comprises :

2 x R1¼ x R½ pipe connection bushes

(or R1¼ x R¾ when requested)

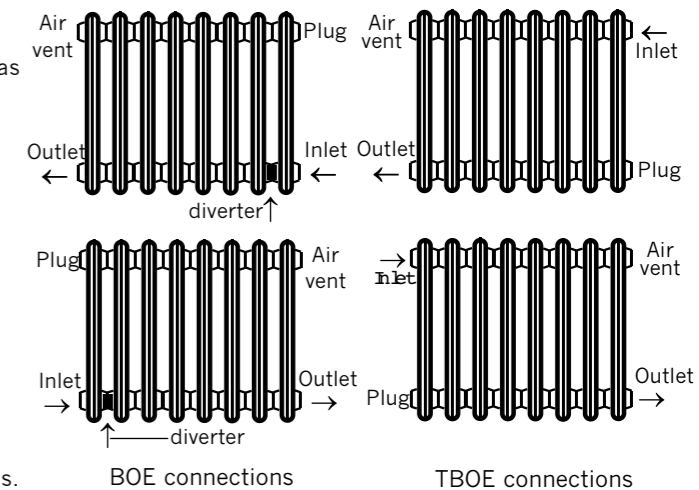
1 x R1¼ plug (LH thread)

1 x R1¼ vent bush (RH thread) and R½ vent valve.

Radiators are normally installed with either BOE (bottom opposite end) or TBOE (top & bottom opposite end) connections.

For installations with BOE connections,

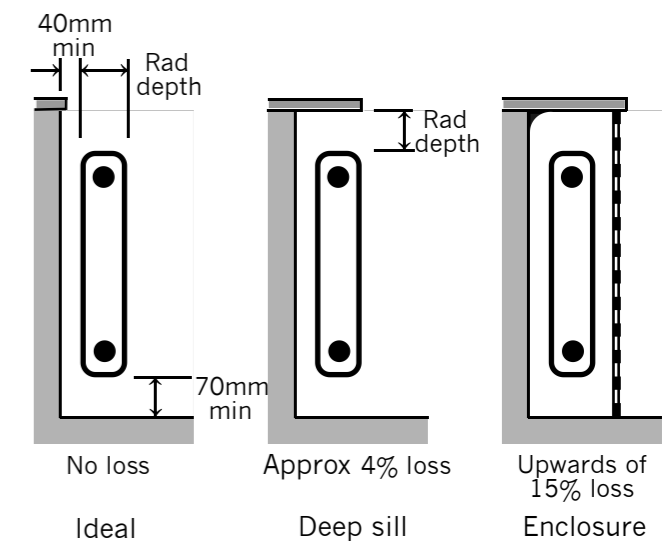
a diverter should be fitted at the inlet connection for radiators up to 20 sections long.



The vent valve should always be fitted at the outlet end of the radiator. If necessary, rotate the radiator to position the vent correctly.

BOXING AND ENCLOSURES

It is recommended that radiators are installed with a minimum gap of 70mm above floor level. A full width window sill above the radiator extending the depth of the radiator will reduce emission rates by approximately 4%. Boxing or the use of decorative enclosures will reduce emission rates by upwards of 15%, according to the design of the boxing. Any restriction of the free flow of air over the radiator surface is detrimental to convected heat emission. Obscuring the front surface of the radiator eliminates the beneficial effect of radiated heat.



COMMISSIONING

In accordance with Part L1 2006 of the Building Regulations and BS7593:1992 code of practice for the treatment of hot water and central heating systems, we strongly recommend flushing the heating system post installation of new radiators and then adding the correct quantity and type of inhibitor for use with your radiator and system to prevent corrosion. Damage caused to systems not protected by a suitable inhibitor will not be covered by manufacturer's guarantee

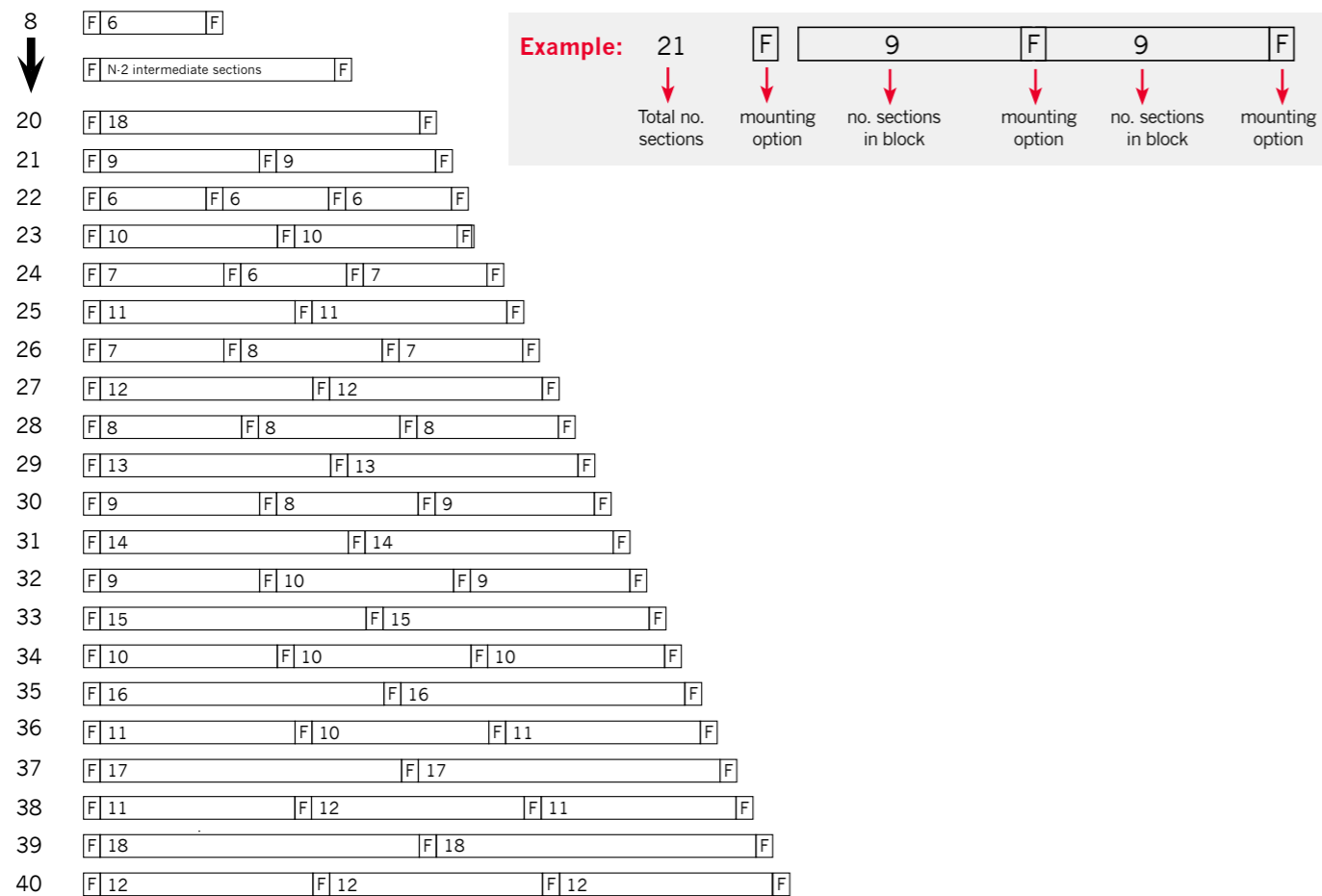
Before unpacking, please ensure that the delivered sizes and quantity are correct. Any shortages or damages must be notified to Clyde Radiators in writing within 7 days; Clyde Radiators, 13-14 Charlwoods Road, East Grinstead, West Sussex, RH19 2HU

FIXING ARRANGEMENTS, FLOOR MOUNTS & WALL BRACKETS

Abode radiators are quoted with footed end sections only. Clyde Radiators do not offer alternative mounting options on the Abode, wall ties are supplied with all orders.

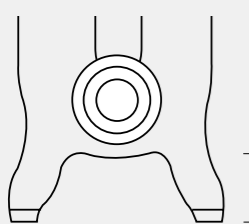
All screw fixes and wall plugs must be appropriate fittings selected to be suitable for the fabric of the wall to which the supports or brackets are being fixed. Do not use fibre or ceramic plug materials as these degrade in time and become unreliable. Advice on screw fixes and wall plugs is provided by specialist suppliers such as Fischer or Rawlplug. Pipework should never be used to provide support for the radiator. Assembling instructions are supplied with all Clyde radiators.

BLOCK MAKE-UP FOR ALL RADIATORS



FOOTED ENDS & WALL TIE

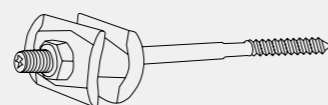
Footed sections height vary for each model see table below for heights



2 Column	Model	Height
Footed section	NMINABOD2C51FS	514
Section	NMINABOD2C51	450
Footed section	NABOD2C66FS	661
Section	NABOD2C66	600
Footed section	NABOD2C76FS	760
Section	NABOD2C76	700
Footed section	NABOD2C95FS	955
Section	NABOD2C95	895

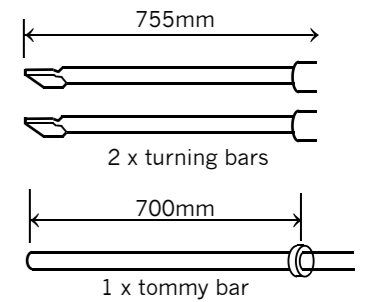
3 Column	Model	Height
Footed section	NABOD3C76FS	768
Section	NABOD3C76FS	708
Footed section	NABOD3C96FS	961
Section	NABOD3C96	890

Abode Wall tie

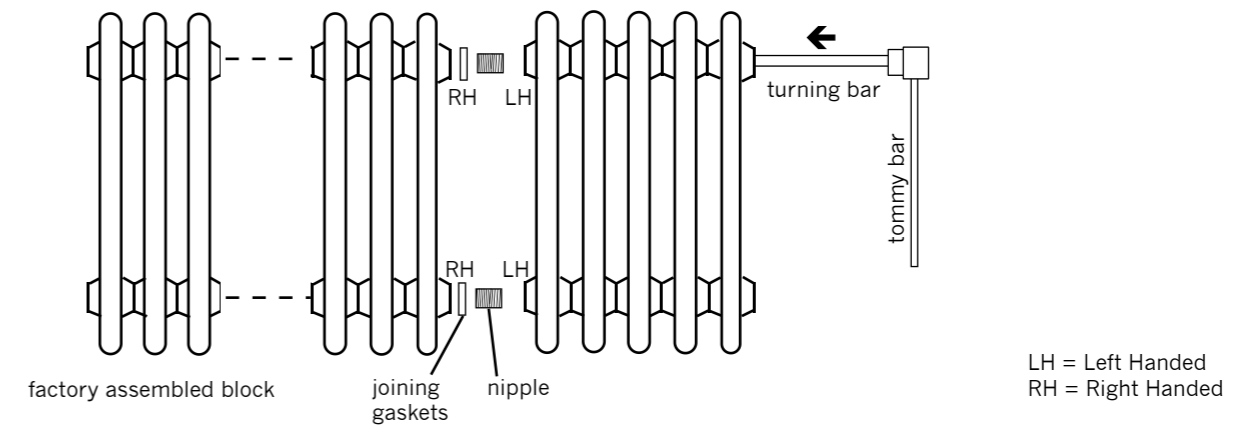


CONNECTIONS

Radiator blocks have Rp1¼ right hand threads at one end and Rp1¼ left hand threads at the other. Lay the blocks out so the right hand threads are aligned with left hand threads to suit the threaded nipples - refer diagram below. Before joining, inspect all blocks for primer paint runs and arrange these to be at the bottom of the radiator. Paint runs can usually be removed with a stiff wire brush. Match all blocks so that the assembled radiator is uniform along its entire length.



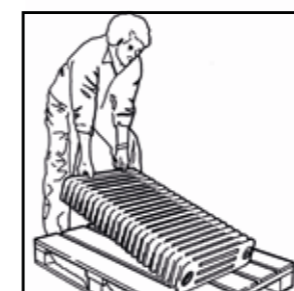
BLOCK ASSEMBLING



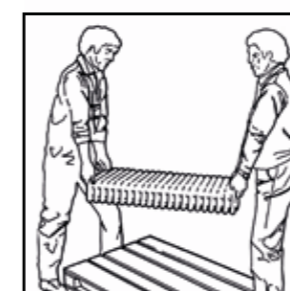
HANDLING

- With large orders, radiator sections will be supplied on pallets to facilitate handling.
- Accessories are delivered packed separately for fitting by the installer. It is important that radiators are protected from the elements during offloading and are stored in dry and adequately heated premises. After radiators have been removed from their pallets, they must be kept vertical whilst being carried to their installation locations to avoid damage to the section joints.
- Radiators are factory assembled and pressure tested up to ten sections. For longer radiators additional blocks are supplied complete with nipples and joints for site assembling.
- Assembling tools are optionally available where additional blocks are supplied.
- Joining Keys are optionally supplied on a sale or return basis where additional blocks are supplied.

Cast iron radiators are heavy. Always provide sufficient manpower to make carrying safe. Incorrect handling of radiator blocks can cause water leaks from section joints. Lift the radiator blocks in the centre to bring them to the vertical position before lifting and carrying. Never carry radiators in a stretcher fashion.



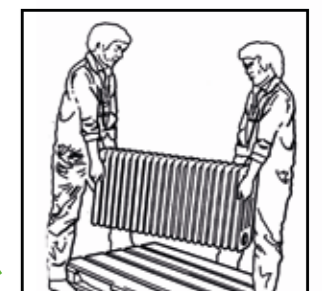
DO NOT
Lift from one end



DO NOT
Carry radiators flat



ALWAYS
Lift in centre



ALWAYS
Keep sections vertical



▶ ASSEMBLING

Sections are joined with dry fitted joining gaskets between the machined faces of each section. Bushes and plugs are dry sealed in the connections at each end of the radiator with a joining gasket supplied as part of the bush or plug. Hemp, tape or sealing compounds **must not be used**.

- ▶ Position the section block horizontally on two lengths of timber.
- ▶ Ensure that the machined faces and threads of the section are perfectly clean.
- ▶ Screw two nipples one full turn into each of the section tappings. Note that the nipples have left and right handed threads.
- ▶ Place a joining gasket (as supplied) on each nipple.
- ▶ Clean the machined surfaces and threads of the adjoining block or section. Lay this block or section beside the first block ensuring that the threads mating to the nipples have the correct thread rotation.
- ▶ Measure and mark off the length of the adjoining block or section on the nipple turning bars.
- ▶ Insert the turning bars through the nippleways of the adjoining block or section to engage with the nipples.
- ▶ Rotate both nipple turning bars equally to draw the blocks together keeping them parallel. If the blocks are not pulled together evenly, threads can be damaged and may give rise to leakage. Tighten the section nipples to tommy bar.
- ▶ Repeat operations 2 to 8 until the radiator is fully assembled.
- ▶ Fit bushes, blanking plug and vent valve according to the connection plan required.

Please visit our youtube channel where you can watch a demonstration on how to join and assemble a sectional cast iron radiator.

<https://www.youtube.com/watch?v=Nu1RJQGSrKk&list=PLMGnLO7Af-x6fIWFeVMOLKwq-5OXBVaRc>

▶ PAINTING

CHOICE OF PAINT

Abode radiator blocks are supplied with a protective primer coating that will afford limited protection against the formation of rust provided that the blocks are correctly dry stored. Blocks will rust if they become wet.

Clyde Radiators can deliver your cast iron radiators fully furnished and ready for installation. We use a robust, polyester powder coat paint, which is applied by our specialist painters based in the UK, to achieve a long lasting, durable finish. Please be aware that as a result of the casting process, cast iron radiators have a rough surface finish with small imperfections which will show after the painting process.

THIS PROTECTIVE PRIMER COATING IS NOT INTENDED AS AN UNDERCOAT.

For a superior, long lasting paint finish we recommend that a protective coat of a zinc based rust inhibitor is applied. This must be compatible with the undercoat and finish coat selected for the radiator. Radiators may be finished with most domestic paints that are formulated to withstand temperatures up to 100°C. Spray paints (air drying or oven cured) as used for car bodywork are also suitable. Paint supplier's recommendations regarding the use of an undercoat should be observed to ensure a true colour rendering.

Topcoats and undercoats MUST NEVER be WATER BASED or EMULSION type. Care must be taken in selecting undercoats as many modern formulations are water based although they are designed for use with oil based topcoats. A water based paint will always create rust pocks that will grow and become unsightly.

PAINTING

Paint may be applied by brush or spray and an undercoat should be applied, in accordance with the paint manufacturer's instructions. The quantity of paint required may be calculated from the coverage factor declared by the paint manufacturer and the surface area of the radiator sections.

Mount the radiators in their final positions and complete all pipe connections. Painting radiators 'in situ' against a wall is not recommended as the entire surface cannot be reached and there will be a high risk of rust formation on untreated surfaces.

When all installation work has been completed, disconnect the pipework and remove the radiators from the wall. Because the radiators are heavy and cumbersome to move, it is highly advisable to paint each radiator close to where it is being installed. Stand or lay the radiators on wood chocks. For safety, radiators must be supported whilst standing up, but it is necessary to turn them over to examine and treat all surfaces.

Using dry cloths, a wire brush and/or emery sheets, remove all dust and debris from the radiator surface. If any rust spots are found these must be removed and then treated with a chemical rust cleaner such as 'Jenolite'.

ABODE COLOUR OPTIONS - RAL COLOURS

If you are looking to have your Abode radiator in an alternative colour we offer the following RAL colour options, please specify chosen colour at time of order.



To discuss a quotation for other colours outside of the above range please call 01342 305550

ABODE COLOUR OPTIONS - SPECIAL FINISHES

Choose from 30 Special finishes; Textured, Mottled, Metallics and Golds, please specify chosen colour at time of order.



FARROW & BALL®

Farrow & Ball® has been passionate about creating richly pigmented paint to original formulations using age-old methods since 1946. Their distinctive palette of 132 timeless colours (renowned for its depth & complexity) has transformed modern and traditional homes, large and small, across the world. Please visit our website www.clyderadiators.co.uk for the full range of colours, your chosen finish must be specified at time of order.

© Registered trademark of Farrow & Ball Holdings Limited

BURNISHED AND LACQUERED



BURNISHED (shown left)

The Abode is also available in a beautiful burnished finish. Created by hand in the UK, an initial black paint is used to protect hidden, hard to access areas of the radiator and to highlight the visible polished areas (the front, sides and tops of the sections are polished whilst the rear and more difficult access areas between the sections remain black); a series of burnishing processes produces the final stunning results.

LACQUERED

This industrial bare metal finish is hand finished so every radiator is unique, variations in colour, welding and burnishing marks differ from one section to another and add to the idiosyncrasy of each radiator.

VALVES

Choose one of our TRV's to complement your cast iron radiator.

ESTATE TRV

- Height of Wheelhead 127mm
- Available in Brass & Chrome
- Straight or Angled
- For angled valves allow an extra 80mm in total
- Estate TRV's are not Bi-directional
- Supplied in pairs of one thermostatic valve & one lockshield
- R $\frac{1}{2}$ x 15mm compression angled valves



TRADITIONAL TRV

- Height of Wheelhead 115mm
- Chrome and Nickel finishes supplied with a Black top
- Antique Copper, Antique Brass and Polished Brass supplied with a Walnut top
- For angled valve allow an extra 90mm in total
- Traditional TRV's are not Bi-directional
- Supplied in pairs of one thermostatic valve & one lockshield
- R $\frac{1}{2}$ x 15mm compression angled valves



TRADITIONAL XL TRV

- Height of Wheelhead 160mm
- Available in Chrome, Nickel & Antique Brass supplied with a Black top
- Available in Antique Copper & Polished Brass supplied with a Walnut top
- For angled valve allow an extra 120mm in total
- Traditional XL TRV's are not Bi-directional
- Supplied in pairs of one thermostatic valve & one lockshield
- R $\frac{1}{2}$ x 15mm compression angled valves



OTHER CLYDE PRODUCTS

Clyde Radiators

COMMERCIAL HEATING SOLUTIONS

- 6 Flat Panel radiators
- Lightweight & Efficient Sectional Aluminum
- Sectional Cast Iron in 4 other styles
- 2 Bespoke LST options, made to specification
- Sectional Steel Multi Column in over 3200 sizes
- Radiant Panels
- Trench: Practical aluminium convector for underfloor heating
- Mini: Aluminium and copper convector, in steel casing with aluminium grille



www.clyderadiators.co.uk