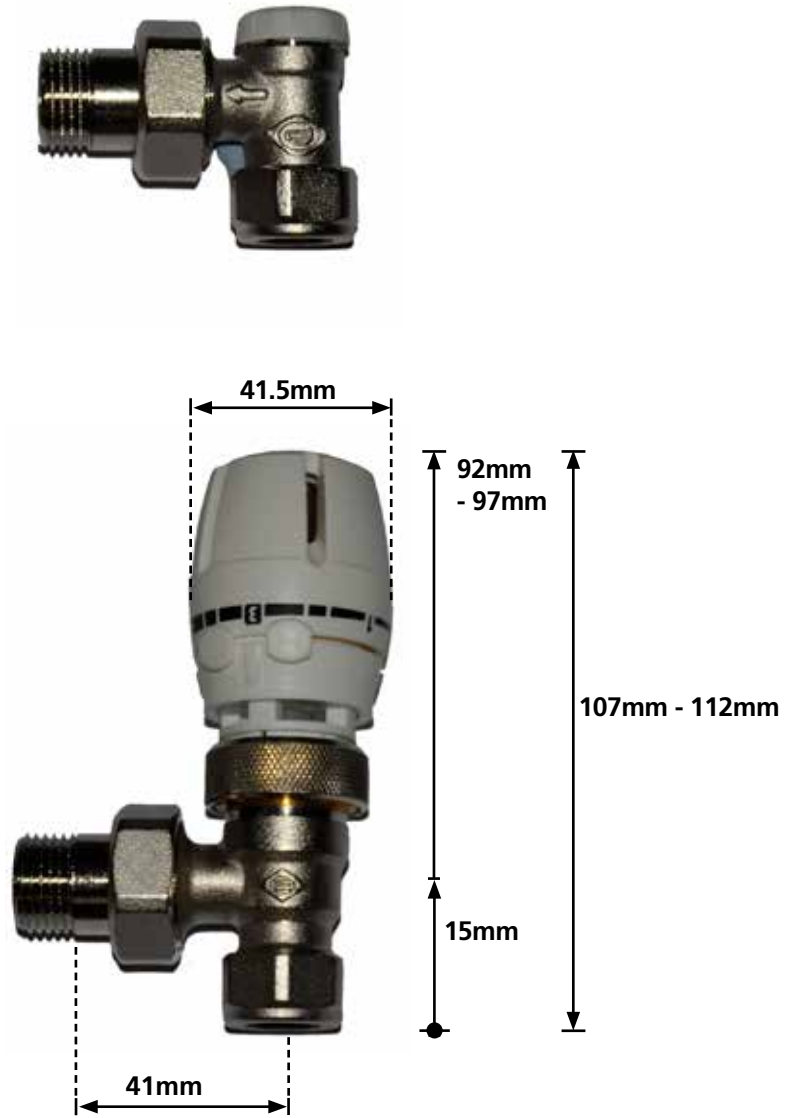


Stirling TRV

Thermostatic Radiator valves



- All dimensions shown are in mm
- Pipe centres allow an extra 82mm in total
- Stirling valves are Bi-directional
- Supplied in pairs of one thermostatic valve & one lockshield
- R½ x 15mm compression in angled or straight
- Available in white